

## Galvanized Bunk Models

330-547-0005

| Models              | Capacity | Bow Eye To Transom Maximum | Bow Eye To Transom Minimum | Rear To Angle Support | Bunk Type | Brakes | Tire Size | Overall Width | Between Fenders | Overall Length |
|---------------------|----------|----------------------------|----------------------------|-----------------------|-----------|--------|-----------|---------------|-----------------|----------------|
| 5S-17220090V Welded | 2,200    | 16' 8"                     | 14' 4"                     | 13' 2"                | V         | 0      | ST175/13C | 89"           | 73"             | 19'            |
| 5S-172200V          | 2,200    | 17'                        | 14' 11"                    | 13' 5"                | V         | 0      | ST175/13C | 90.5"         | 73"             | 19' 4"         |
| 5S-172450V          | 2,450    | 17'                        | 14' 11"                    | 13' 5"                | V         | 0      | ST205/14C | 90.5"         | 73"             | 19' 4"         |
| 5S-192450VT         | 2,450    | 18'                        | 15' 4"                     | 13' 9"                | V         | 0      | ST205/14C | 96"           | 78"             | 20' 8"         |
| 5S-192800VT         | 2,800    | 18'                        | 15' 4"                     | 13' 9"                | V         | 0      | ST205/14C | 96"           | 78"             | 20' 8"         |
| 5S-193100VTB        | 3,100    | 18'                        | 15' 4"                     | 13' 9"                | V         | 1      | ST215/14C | 96"           | 78"             | 20' 8"         |
| 5S-213600VT         | 3,600    | 19' 7"                     | 17' 5"                     | 14' 5"                | C         | 0      | ST225/15D | 96"           | 78"             | 22' 8"         |
| 5S-213600VTB        | 3,600    | 19' 7"                     | 17' 5"                     | 14' 5"                | C         | 1      | ST225/15D | 96"           | 78"             | 23' 2"         |
| 5S-22T3800TV1       | 3,800    | 20' 9"                     | 18' 6"                     | 15' 7"                | C         | 1, 2   | ST175/13C | 95"           | 77"             | 24' 1"         |
| 5S-22T4400TV1       | 4,400    | 20' 9"                     | 18' 6"                     | 15' 7"                | C         | 1, 2   | ST205/14C | 95"           | 77"             | 24' 6"         |
| 5S-22T4700TV1       | 4,700    | 20' 9"                     | 18' 6"                     | 15' 7"                | C         | 1, 2   | ST205/14C | 95"           | 77"             | 24' 6"         |
| 5S-24T5000TV1       | 5,000    | 22' 6"                     | 18' 2"                     | 17' 2"                | C         | 1, 2   | ST205/14C | 95"           | 77"             | 25' 4"         |
| 5S-24T5400TV1       | 5,400    | 22' 6"                     | 18' 2"                     | 17' 2"                | C         | 1, 2   | ST215/14C | 95"           | 77"             | 25' 4"         |
| 5S-25T6000TV1       | 6,000    | 24' 5"                     | 20' 1"                     | 18'                   | C         | 1, 2   | ST215/14C | 95"           | 77"             | 25' 2"         |
| 5S-25T6400TV1       | 6,400    | 23'                        | 19' 6"                     | 17' 6"                | C         | 1, 2   | ST225/15D | 95"           | 77"             | 25' 2"         |
| 5S-26T6600TV1       | 6,600    | 25'                        | 19' 8"                     | 19' 8"                | C         | 1, 2   | ST225/15D | 95"           | 77"             | 28'            |
| 5S-26T7700TV1       | 7,700    | 25'                        | 19' 8"                     | 19' 8"                | C         | 1, 2   | ST225/15D | 95"           | 77"             | 28'            |
| 5S-28T8000TV2       | 8,000    | 26' 3"                     | 23' 5"                     | 21' 9"                | C         | 1, 2   | ST225/15D | 95"           | 77"             | 30'            |



5S-192800VT

### Standard Features

- Galvanized steel frame
- Torsion axles (96" and wider)
- Bias-ply tires
- Disc brakes where installed
- Pressure treated wood bunks
- Aluminum diamondplate fenders
- Tongue jack
- 2 Plus 3 Years Limited Warranty

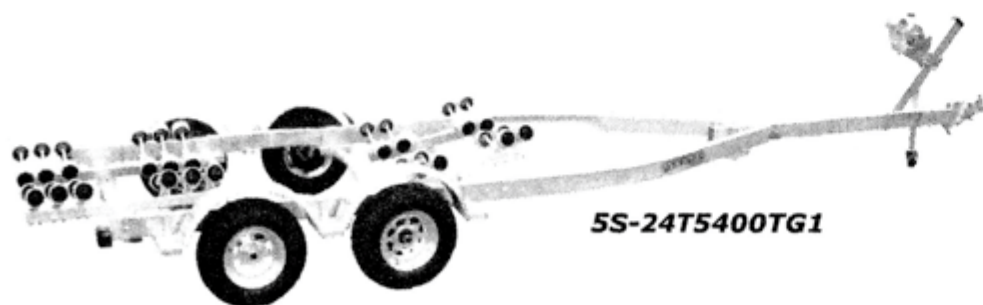
### Popular Options

- Aluminum wheels
- Radial tires
- High speed wheel balancing
- LED lights
- Vortex Hubs
- G5 Stainless disc brakes
- Drop-style tongue jack
- Quick-Slide® bunk covers
- Second axle disc brakes
- Stainless brakelines
- Swing tongue
- Sideguides

#### Important Safety Issue - Brake Requirements

Brake laws vary by state and require dealers to sell trailers that comply with the brake laws of the state where the trailer will be registered. *This is a very important safety issue.* For full information contact the appropriate state Motor Vehicle Department. As always, Load Rite recommends brakes on all axles where available.

| Models              | Capacity | Bow Eye To Transom Maximum | Bow Eye To Transom Minimum | Rear To Angle Support | # Rollers | Brakes | Tire Size | Overall Width | Between Fenders | Overall Length |
|---------------------|----------|----------------------------|----------------------------|-----------------------|-----------|--------|-----------|---------------|-----------------|----------------|
| 5S-17200090R Welded | 2,000    | 17' 3"                     | 14' 4"                     | 13' 2"                | 16        | 0      | ST175/13C | 89"           | 73"             | 19' 8"         |
| 5S-172200R          | 2,200    | 17'                        | 14' 1"                     | 12' 9"                | 16        | 0      | ST175/13C | 90.5"         | 73"             | 19' 4"         |
| 5S-172450R          | 2,450    | 17'                        | 14' 1"                     | 12' 9"                | 16        | 0      | ST205/14C | 90.5"         | 73"             | 19' 4"         |
| 5S-172450RB         | 2,450    | 17'                        | 14' 1"                     | 12' 9"                | 16        | 1      | ST205/14C | 90.5"         | 73"             | 19' 4"         |
| 5S-192450RT         | 2,450    | 18'                        | 16' 1"                     | 13' 9"                | 16        | 0      | ST205/14C | 96"           | 78"             | 20' 4"         |
| 5S-192800RT         | 2,800    | 18'                        | 16' 1"                     | 14' 1"                | 20        | 0      | ST205/14C | 96"           | 78"             | 20' 4"         |
| 5S-193100RTB        | 3,100    | 18'                        | 15' 1"                     | 14' 1"                | 20        | 1      | ST215/14C | 96"           | 78"             | 20' 4"         |
| 5S-213600RT         | 3,600    | 19' 11"                    | 15' 11"                    | 14' 5"                | 24        | 0      | ST225/15D | 96"           | 78"             | 22' 8"         |
| 5S-213600RTB        | 3,600    | 19' 11"                    | 15' 11"                    | 14' 5"                | 24        | 1      | ST225/15D | 96"           | 78"             | 22' 8"         |
| 5S-22T3800TG1       | 3,800    | 20' 3"                     | 17' 1"                     | 15' 7"                | 24        | 1, 2   | ST175/13C | 95"           | 77"             | 24' 6"         |
| 5S-22T4400TG1       | 4,400    | 20' 3"                     | 17' 1"                     | 15' 7"                | 28        | 1, 2   | ST205/14C | 95"           | 77"             | 24' 6"         |
| 5S-22T4700TG1       | 4,700    | 20' 3"                     | 17' 1"                     | 15' 7"                | 32        | 1, 2   | ST205/14C | 95"           | 77"             | 24' 6"         |
| 5S-24T5000TG1       | 5,000    | 23'                        | 18' 2"                     | 17' 2"                | 32        | 1, 2   | ST205/14C | 95"           | 77"             | 25' 4"         |
| 5S-24T5400TG1       | 5,400    | 23'                        | 18' 2"                     | 17' 2"                | 36        | 1, 2   | ST215/14C | 95"           | 77"             | 25' 4"         |
| 5S-25T6000TG1       | 6,000    | 23' 5"                     | 20' 1"                     | 18'                   | 40        | 1, 2   | ST215/14C | 95"           | 77"             | 25' 2"         |
| 5S-25T6400TG1       | 6,400    | 23' 5"                     | 19' 6"                     | 17' 6"                | 56        | 1, 2   | ST225/15D | 95"           | 77"             | 25' 2"         |
| 5S-26T6600TG1       | 6,600    | 24' 9"                     | 19' 8"                     | 19' 8"                | 56        | 1, 2   | ST225/15D | 95"           | 77"             | 28'            |
| 5S-26T7700TG1       | 7,700    | 24' 9"                     | 19' 8"                     | 19' 8"                | 64        | 1, 2   | ST225/15D | 95"           | 77"             | 28'            |
| 5S-28T8000TG2       | 8,000    | 26' 3"                     | 23' 5"                     | 21' 9"                | 64        | 1, 2   | ST225/15D | 95"           | 77"             | 30'            |



5S-24T5400TG1

### Standard Features

- Galvanized steel frame
- Torsion axles (96" and wider)
- Bias-ply tires
- Disc brakes where installed
- TPR rollers
- Aluminum diamondplate fenders
- Tongue jack
- 2 Plus 3 Years Limited Warranty

### Popular Options

- Aluminum wheels
- Radial tires
- High speed wheel balancing
- LED lights
- Vortex Hubs
- G5 Stainless disc brakes
- Drop-style tongue jack
- Second axle disc brakes
- Stainless brakelines
- Swing tongue

### Aluminum Bunk Models

330-547-0005

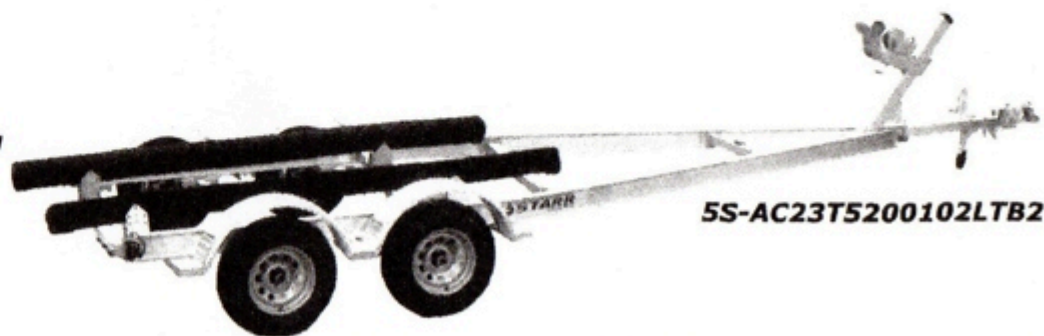
| Model               | Capacity | Bow Eye To Transom Maximum | Bow Eye To Transom Minimum | Rear To Angle Support | Bunk Type | Target Type | Brakes | Tire Size | Overall Width | Between Fenders | Overall Length |
|---------------------|----------|----------------------------|----------------------------|-----------------------|-----------|-------------|--------|-----------|---------------|-----------------|----------------|
| 5S-AC17220090       | 2,200    | 17'                        | 13'                        | 13'                   | C         | -           | 0      | ST175/13C | 92"           | 74"             | 20' 4"         |
| 5S-AC17245090       | 2,450    | 17'                        | 13'                        | 13'                   | C         | -           | 0      | ST205/14C | 92"           | 74"             | 20' 4"         |
| 5S-AC202200102T     | 2,200    | 18'                        | 14' 6"                     | 14' 2"                | C         | S           | 0      | ST175/13C | 101"          | 82"             | 22'            |
| 5S-AC202800102T     | 2,800    | 18'                        | 14' 6"                     | 14' 2"                | C         | S           | 0      | ST205/14C | 101"          | 82"             | 22'            |
| 5S-AC203100102T     | 3,100    | 18'                        | 14' 6"                     | 14' 2"                | C         | S           | 0      | ST215/14C | 101"          | 82"             | 22'            |
| 5S-AC203100102TB1   | 3,100    | 18'                        | 14' 6"                     | 14' 2"                | C         | S           | 1      | ST215/14C | 101"          | 82"             | 22'            |
| 5S-AC203600102TB1   | 3,600    | 18'                        | 14' 6"                     | 14' 2"                | C         | S           | 1      | ST225/15D | 101"          | 82"             | 22'            |
| 5S-AC223100102TB1   | 3,100    | 21'                        | 16' 4"                     | 16'                   | C         | S           | 1      | ST215/14C | 101"          | 82"             | 24' 5"         |
| 5S-AC21T5200102TB1  | 5,200    | 19' 7"                     | 13' 6"                     | 13' 10"               | C         | K           | 1, 2   | ST205/14C | 101"          | 82"             | 23' 6"         |
| 5S-AC23T5200102LTB1 | 5,200    | 21' 9"                     | 15' 8"                     | 15' 5"                | C         | K           | 1, 2   | ST205/14C | 101"          | 82"             | 24' 9"         |
| 5S-AC25T6000102LTB1 | 6,000    | 23' 7"                     | 17' 9"                     | 17' 7"                | C         | K           | 1, 2   | ST215/14C | 101"          | 82"             | 26' 9"         |
| 5S-AC26T7300102LTB1 | 7,300    | 25' 8"                     | 24' 2"                     | 20' 2"                | C         | K           | 1, 2   | ST225/15D | 101"          | 82"             | 29' 3"         |
| 5S-AC26T8400102LTB2 | 8,400    | 24' 6"                     | 22' 6"                     | 22' 4"                | C         | K           | 1, 2   | ST225/15D | 101"          | 82"             | 29' 7"         |
| 5S-AC27T6100102LTB1 | 6,100    | 26' 4"                     | 24' 10"                    | 20' 2"                | C         | K           | 1, 2   | ST215/14C | 101"          | 82"             | 29' 3"         |
| 5S-AC28T8400102LTB2 | 8,400    | 27'                        | 25'                        | 22' 4"                | C         | K           | 1, 2   | ST225/15D | 101"          | 82"             | 29' 7"         |
| 5S-AC28R9200102TB3  | 9,200    | 26' 4"                     | 22' 5"                     | 22'                   | C         | T           | 2, 3   | ST215/14C | 101"          | 82"             | 30' 11"        |
| 5S-AC28R10400102TB3 | 10,400   | 26' 4"                     | 22' 5"                     | 22'                   | C         | T           | 2, 3   | ST225/15D | 101"          | 82"             | 30' 11"        |
| 5S-AC32R10400102TB3 | 10,400   | 29' 4"                     | 25' 5"                     | 25'                   | C         | T           | 2, 3   | ST225/15D | 101"          | 82"             | 33' 8"         |

#### Standard Features

- Patented I-beam frame
- Torsion axles (96" and wider)
- Bias-ply tires
- Disc brakes where installed
- Pressure treated wood bunks
- Aluminum diamondplate fenders
- Tongue jack
- 2 Plus 3 Years Limited Warranty

#### Popular Options

- Aluminum wheels
- Radial tires
- High speed wheel balancing
- LED lights
- Vortex Hubs
- G5 Stainless disc brakes
- Drop-style tongue jack
- Quick-Slide® bunk covers
- Second axle disc brakes
- Stainless brakelines
- Swing tongue
- Sideguides



#### Important Safety Issue - Brake Requirements

Brake laws vary by state and require dealers to sell trailers that comply with the brake laws of the state where the trailer will be registered. *This is a very important safety issue.* For full information contact the appropriate state Motor Vehicle Department. As always, Load Rite recommends brakes on all axles where available.

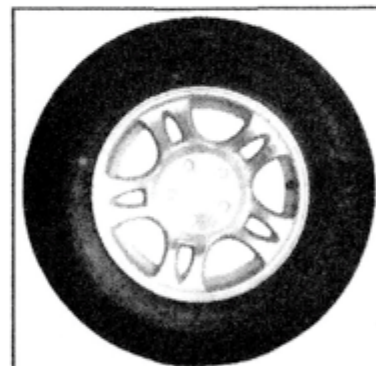
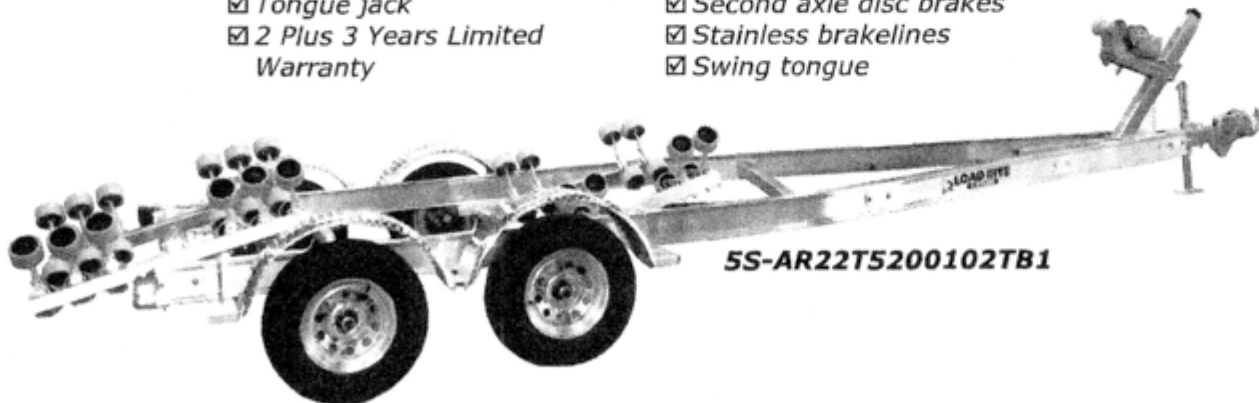
| Model              | Capacity | Bow Eye To Transom Maximum | Bow Eye To Transom Minimum | # Rollers | Brakes | Tire Size | Overall Width | Between Fenders | Overall Length |
|--------------------|----------|----------------------------|----------------------------|-----------|--------|-----------|---------------|-----------------|----------------|
| 5S-AR17245090      | 2,450    | 18'                        | 13'                        | 20        | 0      | ST205/14C | 90"           | 74"             | 20' 4"         |
| 5S-AR182800102T    | 2,800    | 19' 11"                    | 14' 6"                     | 20        | 0      | ST215/14C | 101"          | 82"             | 19' 7"         |
| 5S-AR183100102TB1  | 3,100    | 19' 11"                    | 14' 6"                     | 20        | 1      | ST215/14C | 101"          | 82"             | 19' 10"        |
| 5S-AR203100102TB1  | 3,100    | 19' 11"                    | 14' 6"                     | 20        | 1      | ST215/14C | 101"          | 82"             | 21' 9"         |
| 5S-AR20T4600102TB1 | 4,600    | 19' 7"                     | 13' 6"                     | 28        | 1, 2   | ST205/14C | 101"          | 82"             | 21' 9"         |
| 5S-AR22T5200102TB1 | 5,200    | 21' 9"                     | 17' 8"                     | 40        | 1, 2   | ST205/14C | 101"          | 82"             | 23' 9"         |
| 5S-AR24T6000102TB1 | 6,000    | 23' 7"                     | 19' 10"                    | 48        | 1, 2   | ST215/14C | 101"          | 82"             | 26' 3"         |
| 5S-AR26T6000102TB1 | 6,000    | 25'                        | 23'                        | 48        | 1, 2   | ST215/14C | 101"          | 82"             | 26' 9"         |

### Standard Features

- Patented I-beam frame
- Torsion axles (96" and wider)
- Bias-ply tires
- Disc brakes where installed
- TPR rollers
- Aluminum diamondplate fenders
- Tongue jack
- 2 Plus 3 Years Limited Warranty

### Popular Options

- Aluminum wheels
- Radial tires
- High speed wheel balancing
- LED lights
- Vortex Hubs
- G5 Stainless disc brakes
- Drop-style tongue jack
- Second axle disc brakes
- Stainless brakelines
- Swing tongue



**Optional Split-Star aluminum wheel available for most models.**

#### Important Safety Issue - Brake Requirements

Brake laws vary by state and require dealers to sell trailers that comply with the brake laws of the state where the trailer will be registered. This is a very important safety issue. For full information contact the appropriate state Motor Vehicle Department. As always, Load Rite recommends brakes on all axles where available.